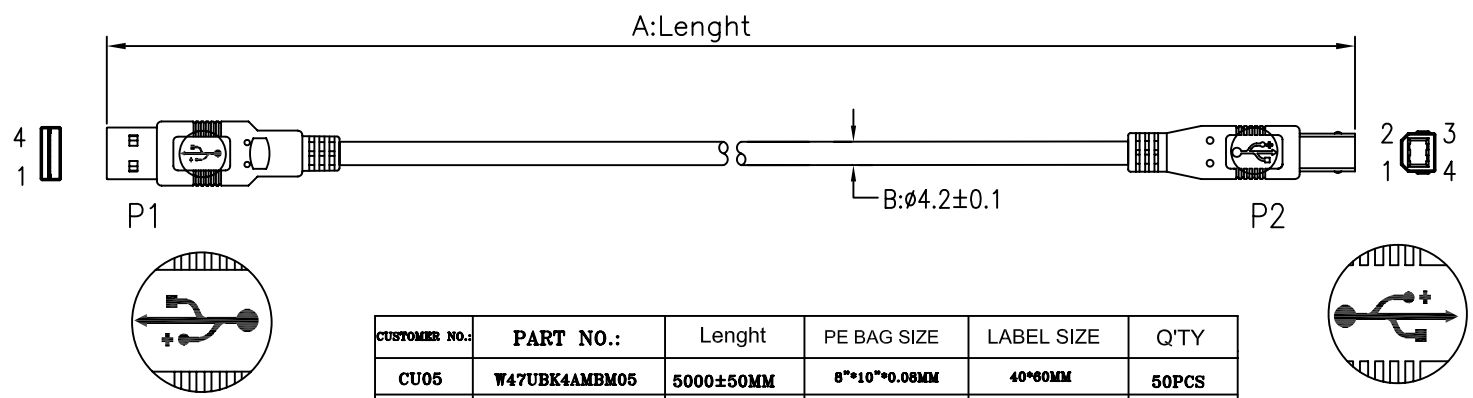
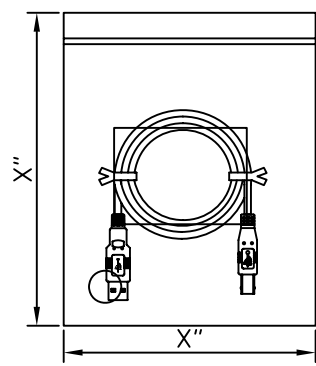
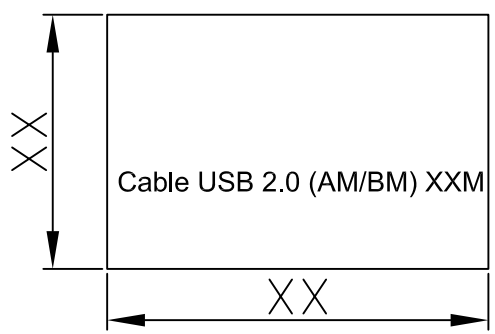
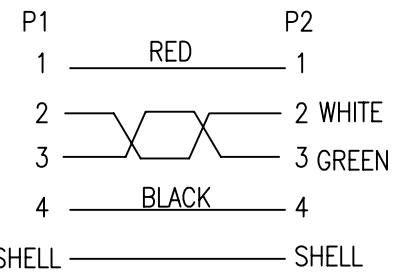


CUSTOMER NO:	REMARK
	Cablematic



CUSTOMER NO.:	PART NO.:	Lenght	PE BAG SIZE	LABEL SIZE	Q'TY
CU05	W47UBK4AMB05	5000±50MM	8*10*0.08MM	40*60MM	50PCS
CU06	W47UBK3AMB7.5	7500±70MM	8*12*0.08MM	40*60MM	30PCS
CU07	W47UBK3AMB10	10000±100MM	8*12*0.08MM	40*60MM	25PCS

PINOUT:



4	OUTER JACKET PVC 45Pa BLACK(1101) ROHS
3	USB B TYPE 4P MALE WHITE SOLDER TYPE (RoHS)
2	USB A TYPE 4P MALE WHITE SOLDER TYPE (RoHS)
1	USB2.0 28#1P+24#2C+AB(32BAM)+D OD:4.2MM BLACK(1101) XXXXMM RoHS

A	FIRST EDITION	f.L.N	30/09/10
REV. ECR	DESCRIPTION	C.N.	DATE
<small>THESE DRAWINGS AND SPECIFICATIONS ARE THE PROPERTY OF WIRETEK COMPUTER LIMITED AND SHALL NOT BE REPRODUCED COPIED OR USED IN ANY MANNER WITHOUT THE PRIOR WRITTEN CONSENT OF WIRETEK COMPUTER LIMITED.</small>		<small>UNLESS OTHERWISE SPECIFIED: DIMENSIONS ARE IN MILLIMETERS ANGULAR TOLERANCE: ±1.0°</small>	
TITLE		USB2.0 CABLE	
DIMENSIONS		TOLERANCE	
0.00 TO 30.00mm		±0.10mm	
30.01 TO 80.00mm		±0.13mm	
80.01 TO 150.00mm		±0.15mm	
150.01mm		±0.20mm	
MATERIAL		PART NO.	
FINISH		W47UBK4AMB05	
SCALE	SHEET	UNIT	REV.
	1/2	MM	A